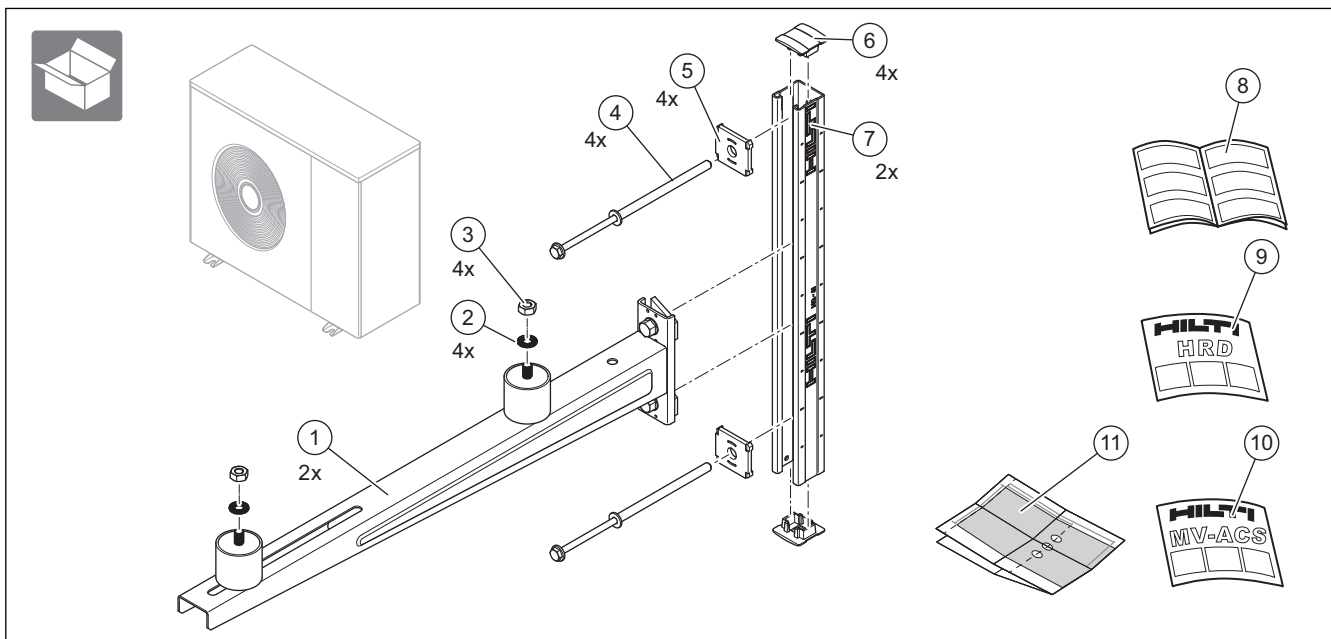
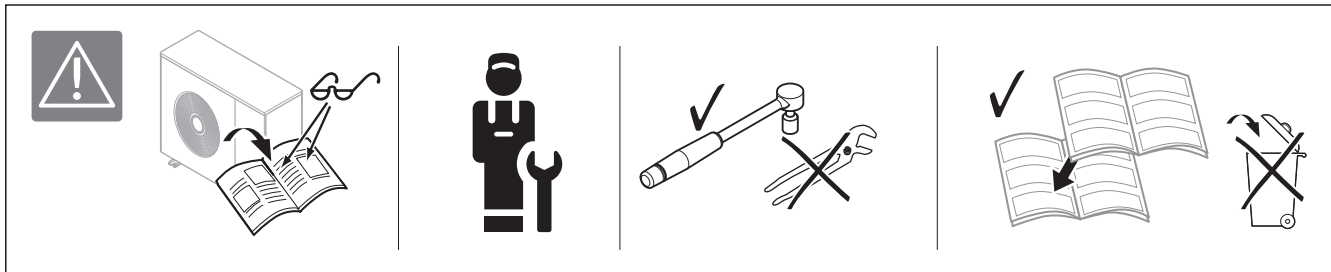
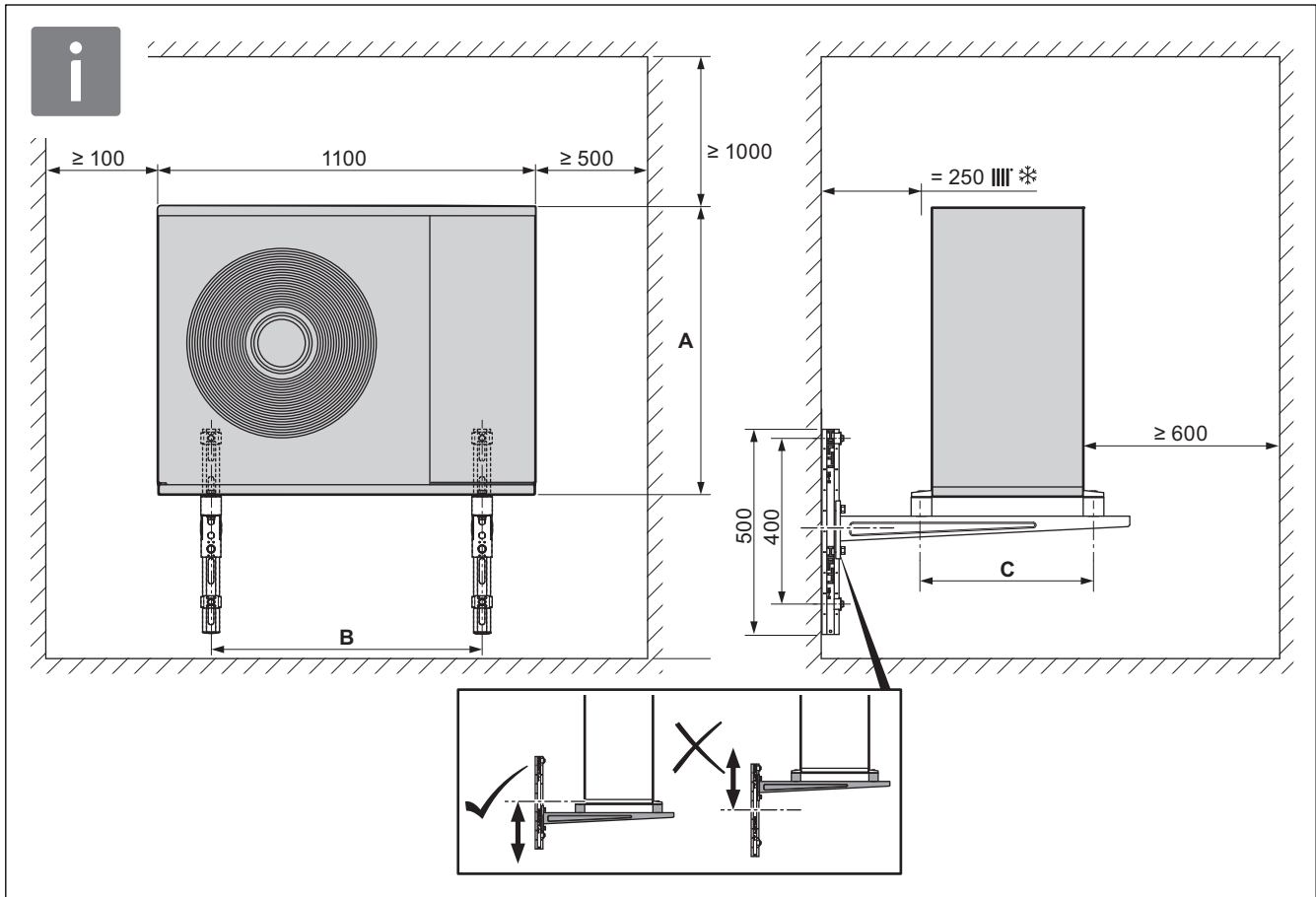


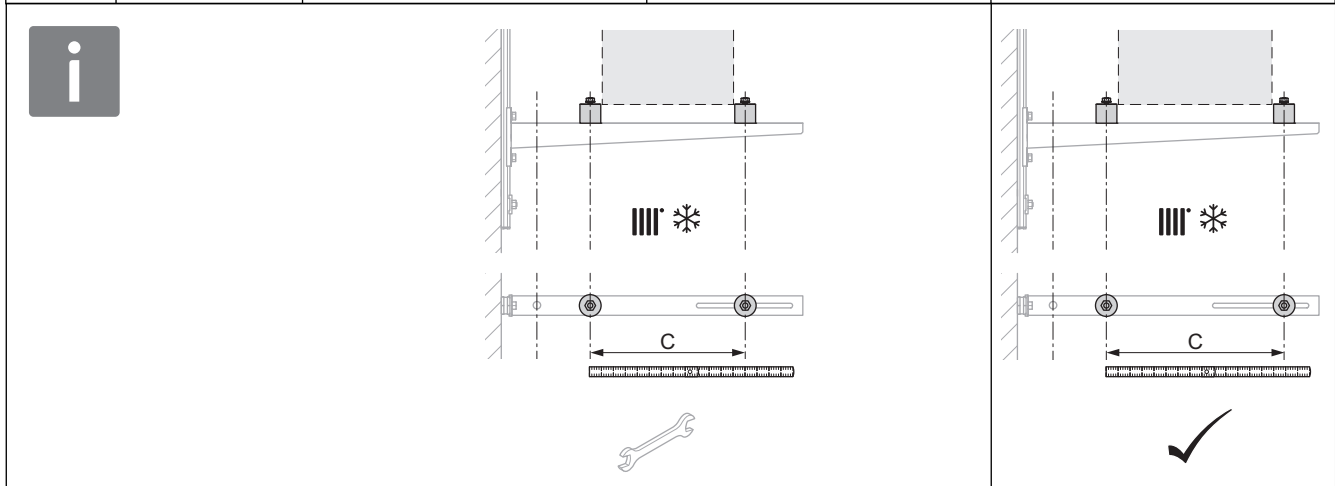
0020252047

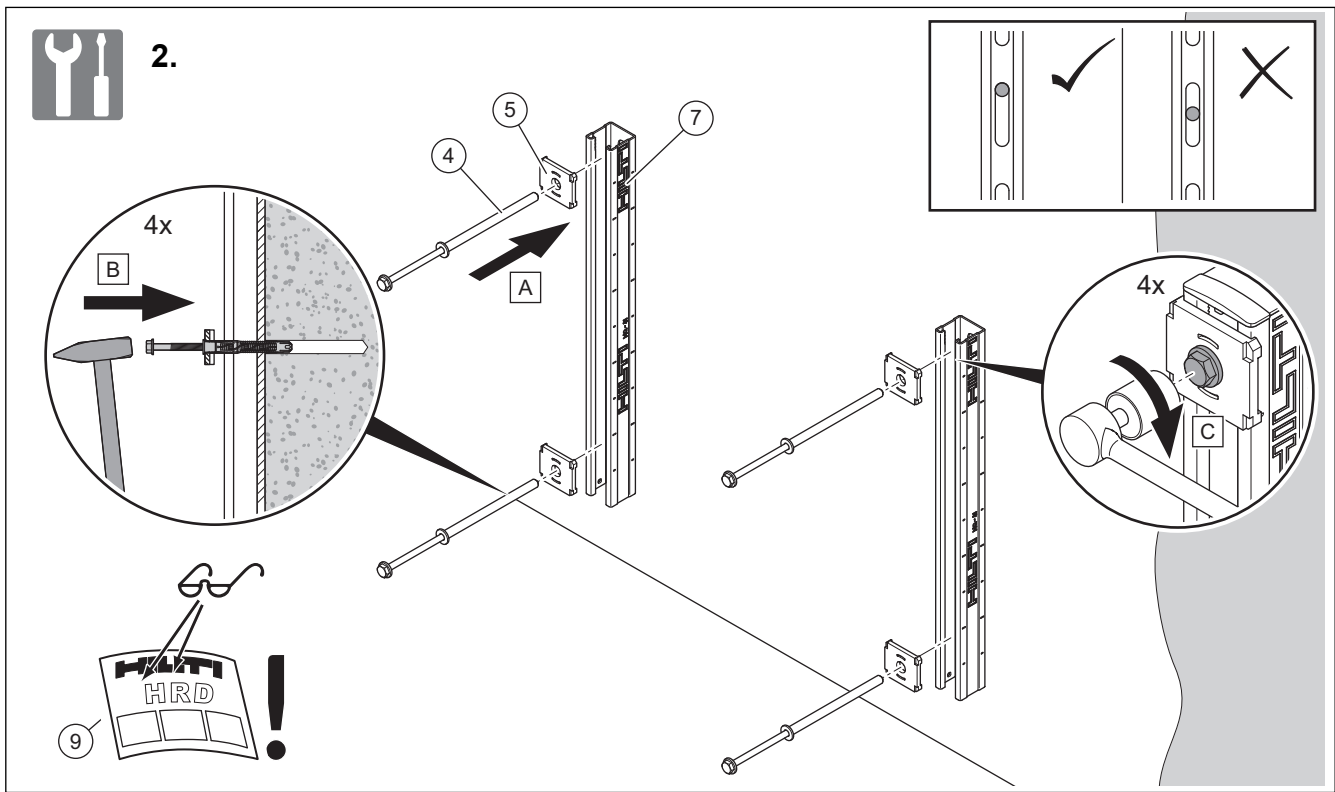
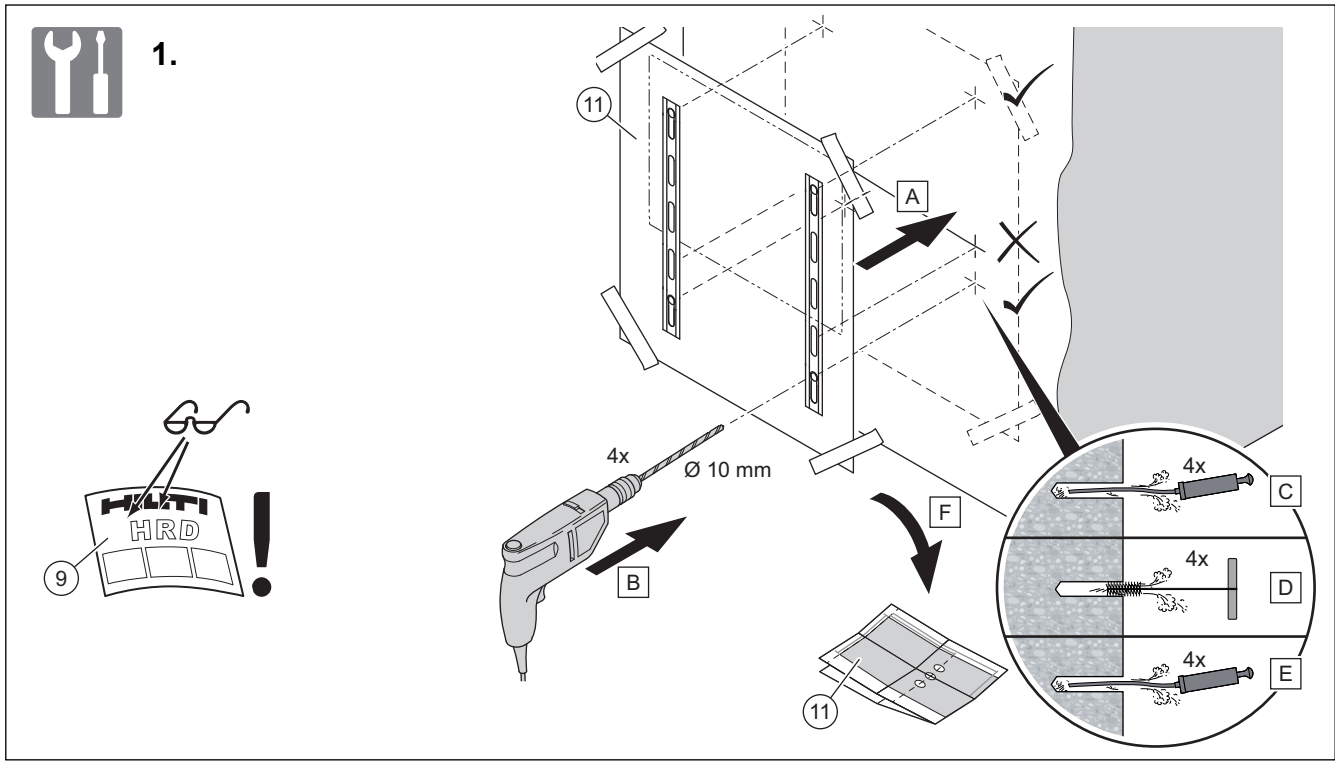


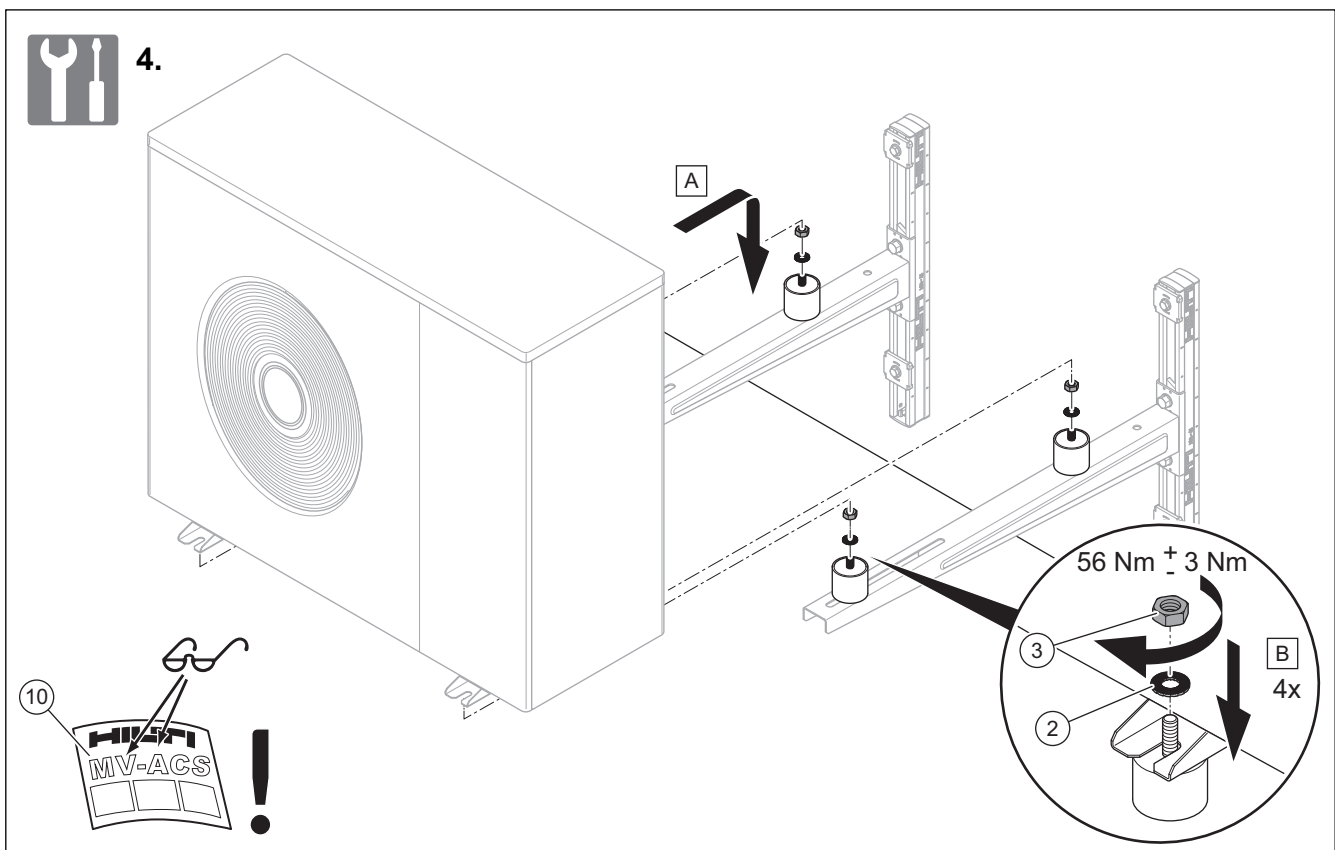
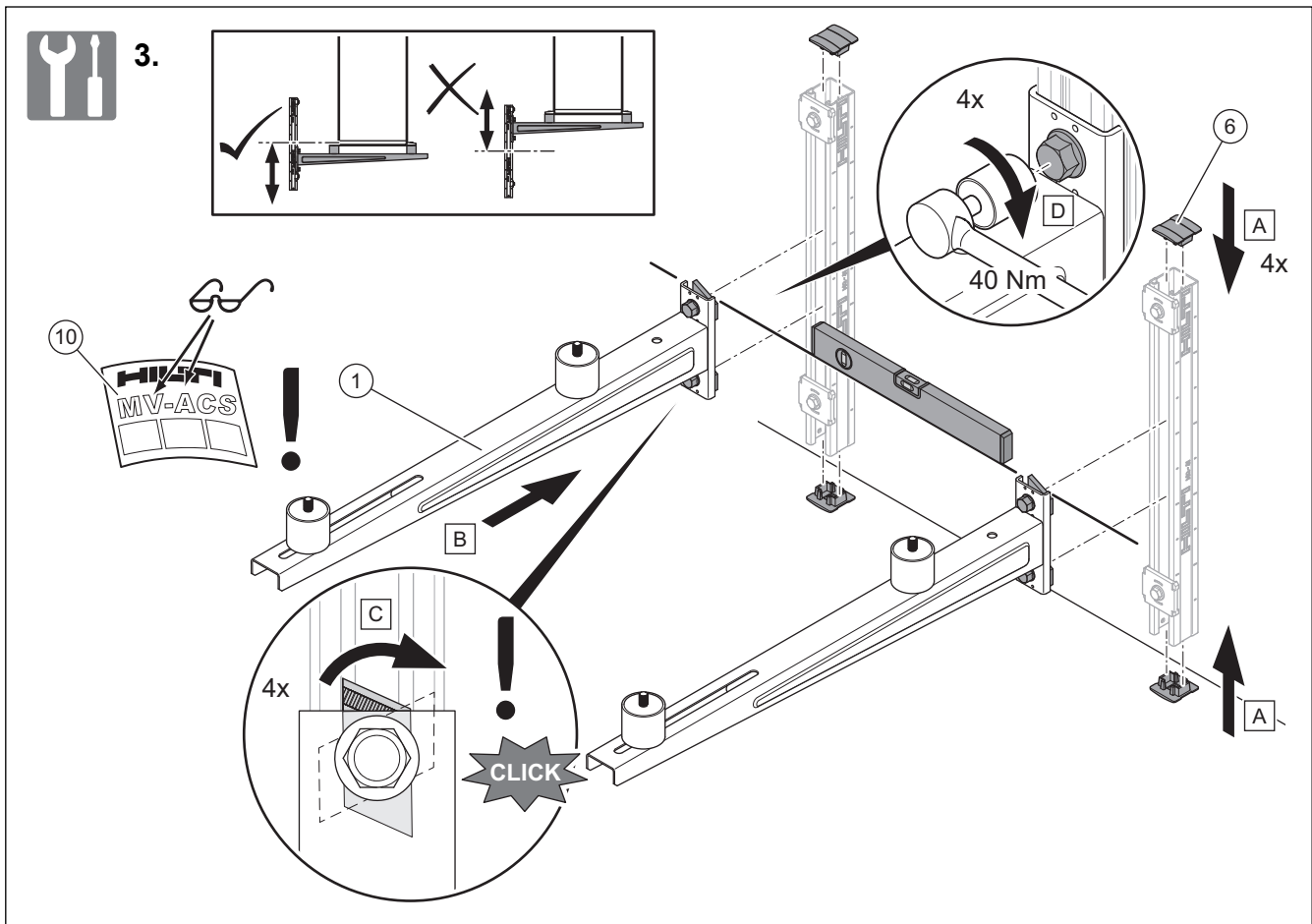
	EN 771	DIN 105	Hilti	max. kg	
	min. C16/20	min. C16/20	HRD-HR 10 x 140	173 kg	
	CL 12 G1 B 0,11 240 x 115 x 113 CS 12 G1 B 0,11 240 x 115 x 113	K12, 2DF & MZ12, 2DF			
	www.hilti.group Info Shop www.hilti.group		 HIT-HY 170		

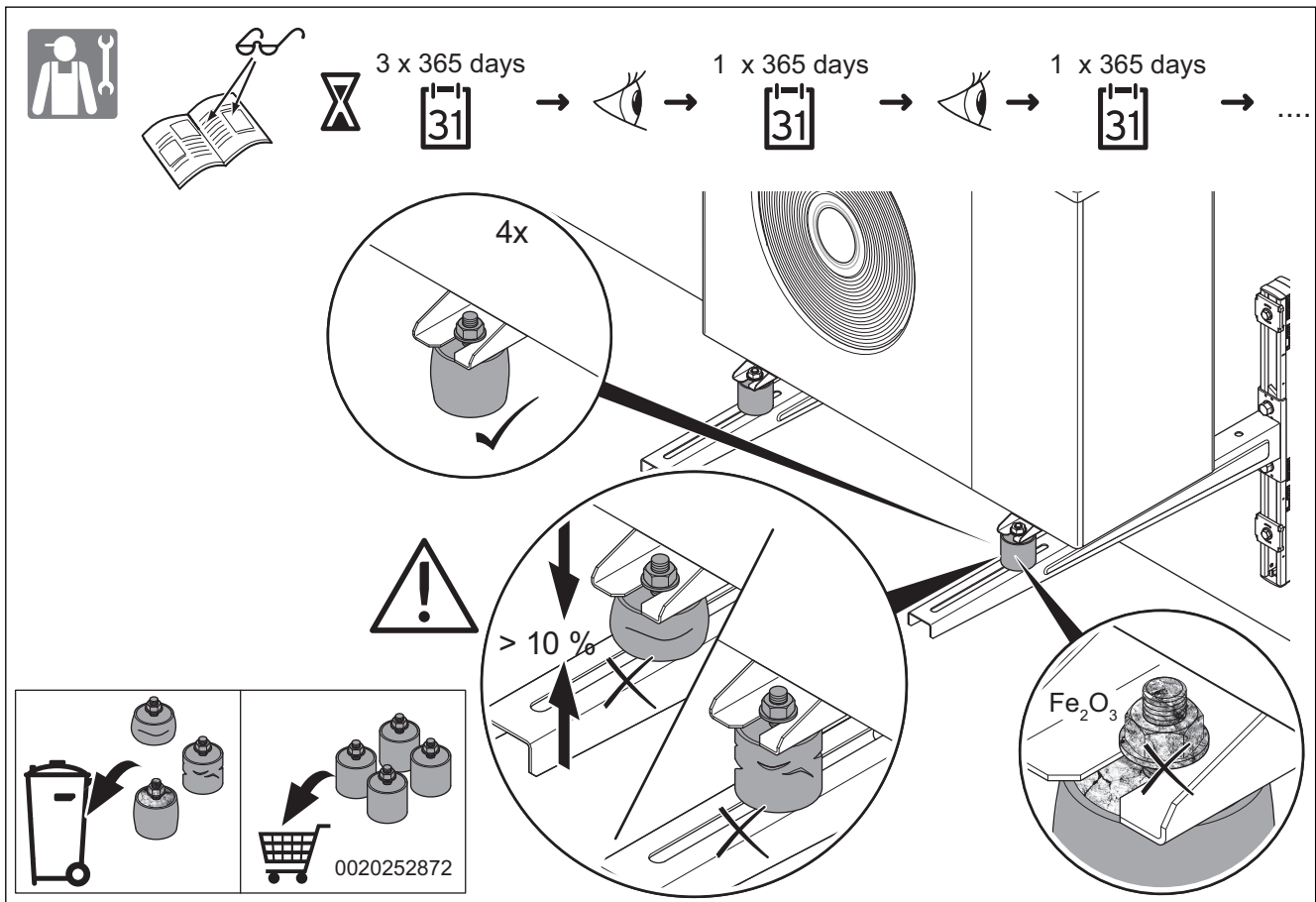
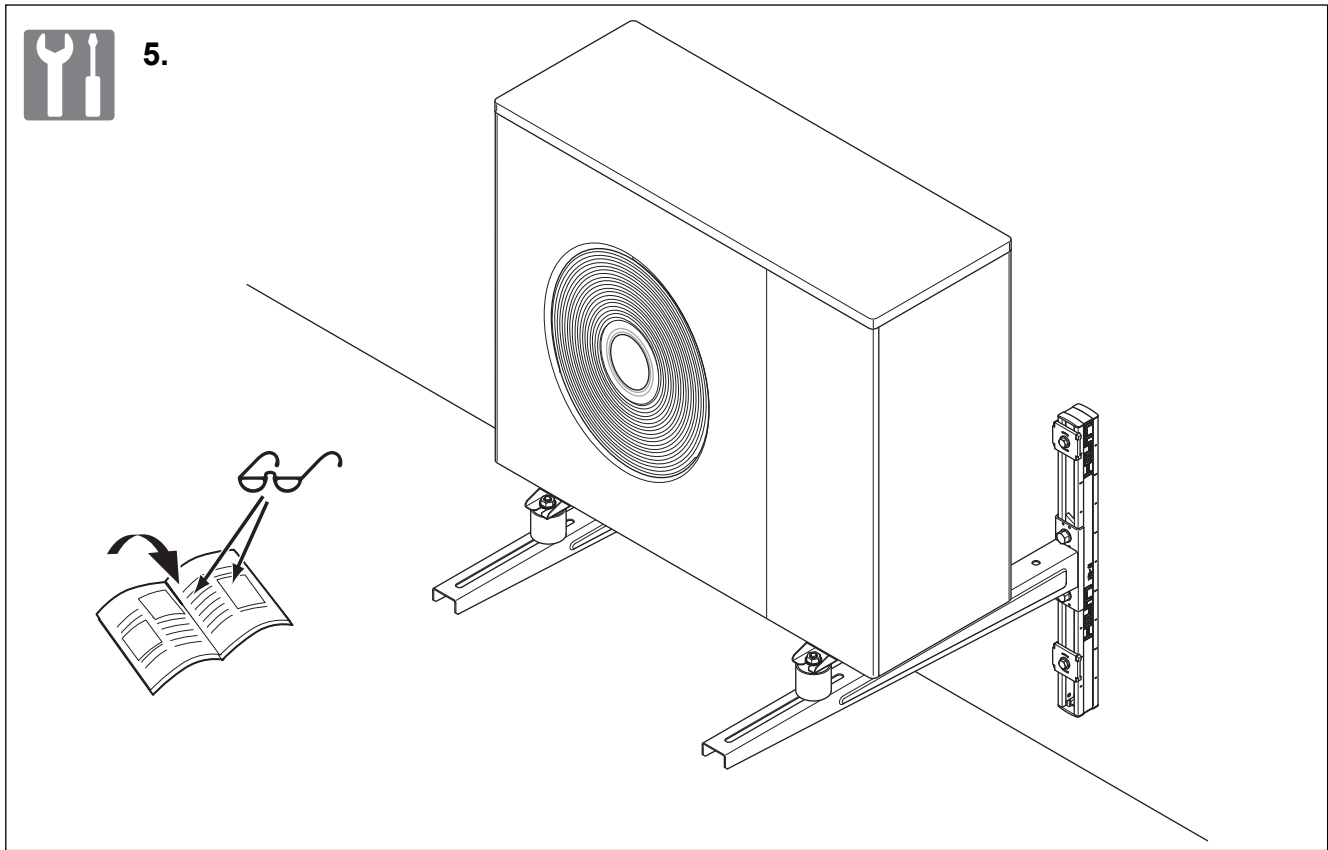


A	mm	800	942	765, 965
B	mm	740	778	740
C	mm	386	437	477
		#1	#2	#1











0020252052_04

Manufacturer
SDECCI SAS

17 rue de la Petite Baratte
44300 Nantes
France

© These instructions, or parts thereof, are protected by copyright and may be reproduced or distributed only with the manufacturer's written consent.
Subject to technical modifications.

0020252052_04 INT 052021