



Saunier Duval

awb



Bulex

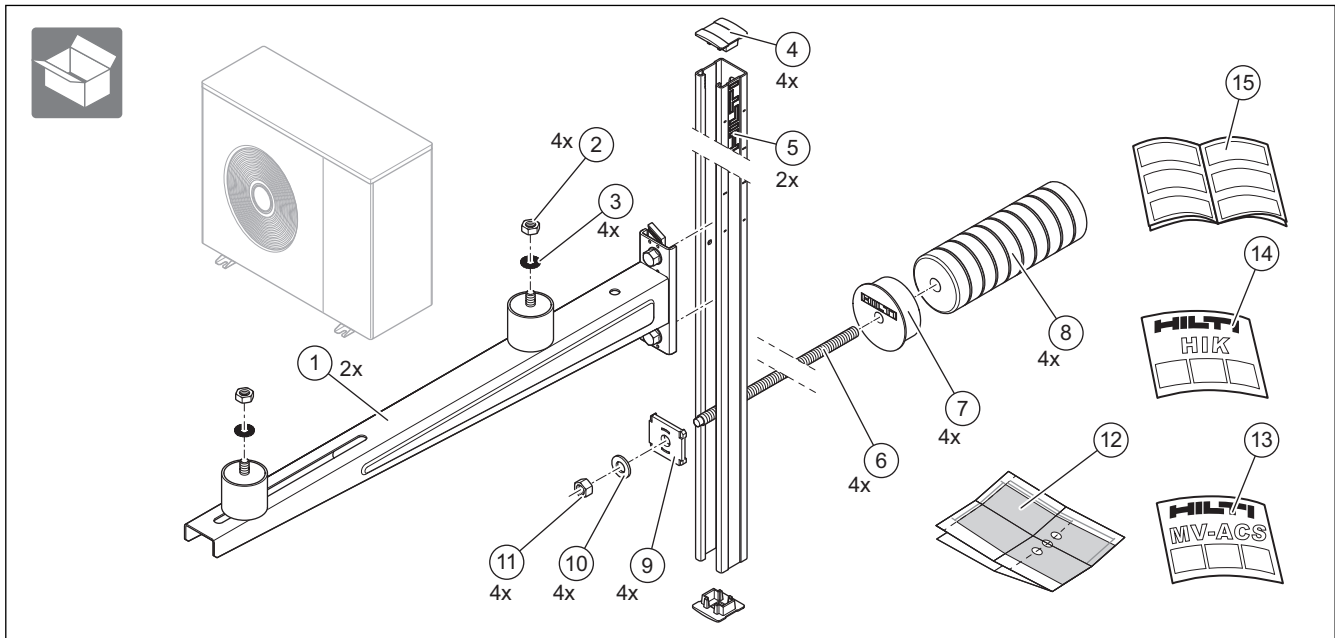
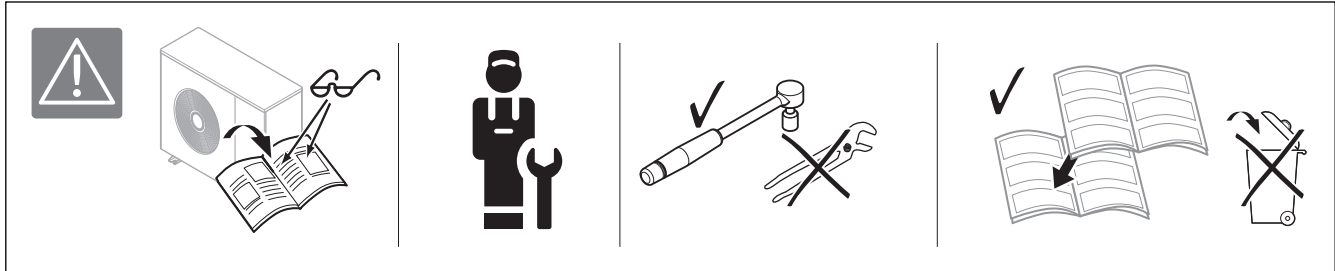
Glow-worm



Hermann Saunier Duval

protherm

0020252046



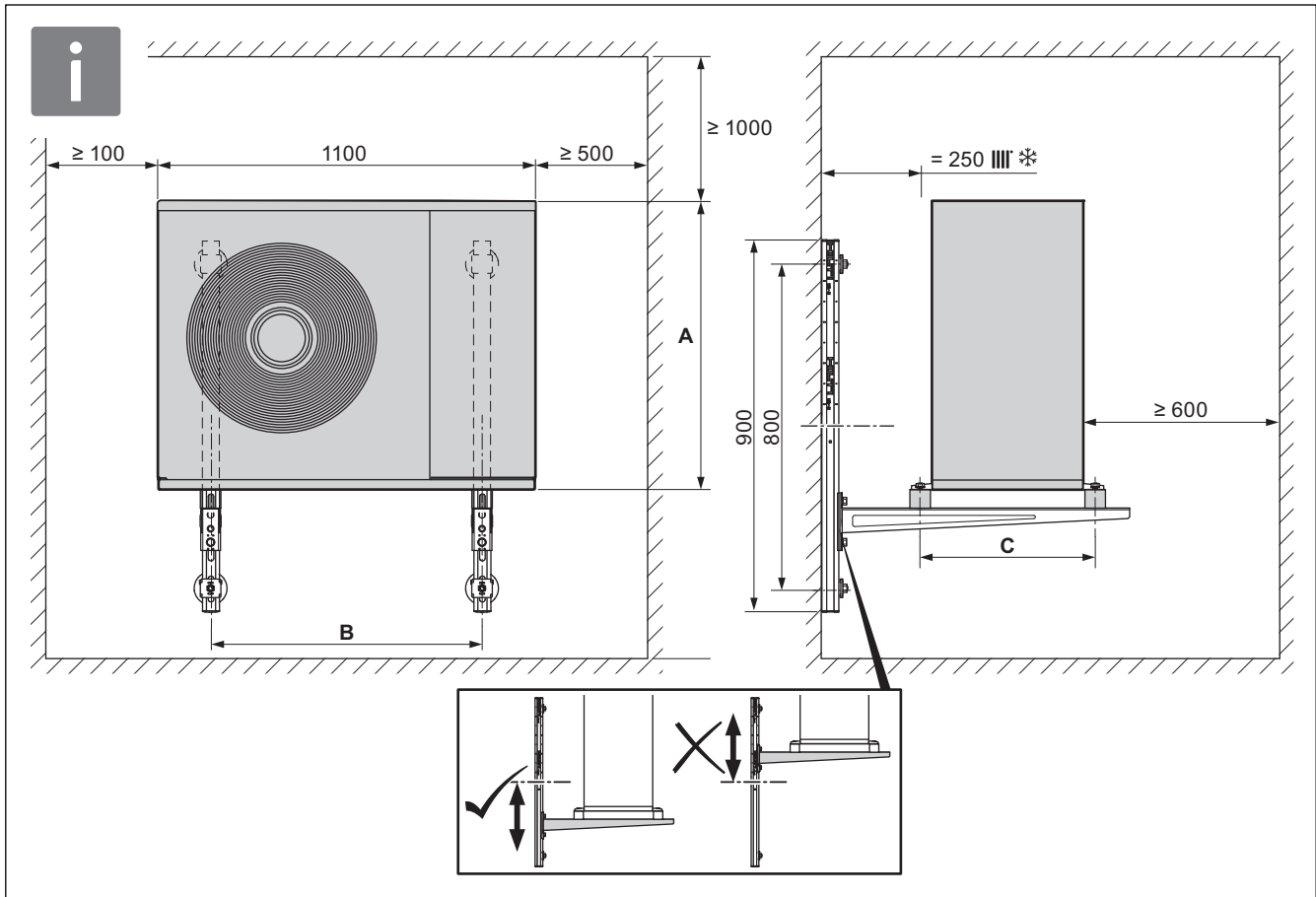
max. 160 mm		EN 771	DIN 105	Hilti	max. kg	
		min. C20/25	min. C20/25	HIT HY 170 + HIK HIT-C-F M12 x 450 10.9	173 kg	
		CL 12 G1 B 0,11 240 x 115 x 113	KS12, 2DF & MZ12, 2DF	HIT HY 170 + HIK HIT-C-F M12 x 450 10.9		
		CS 12 G1 B 0,11 240 x 115 x 113			 x kg	

www.hilti.group

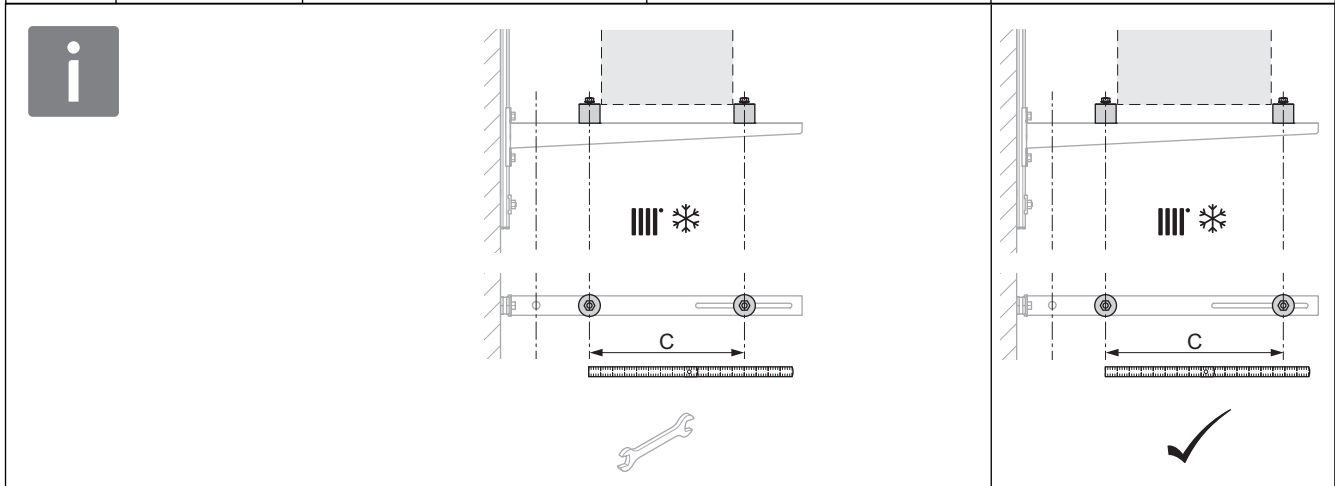
Info | Shop

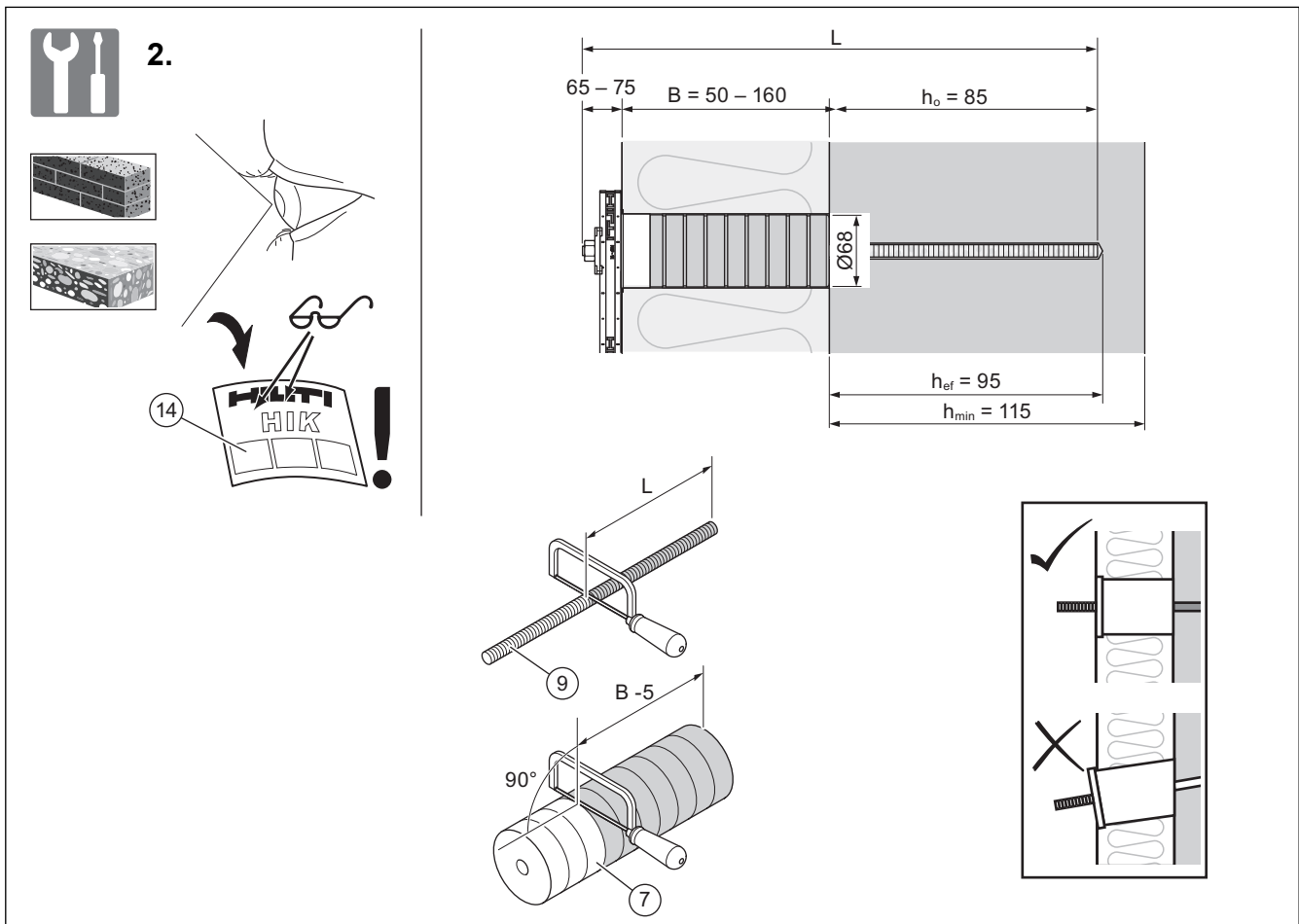
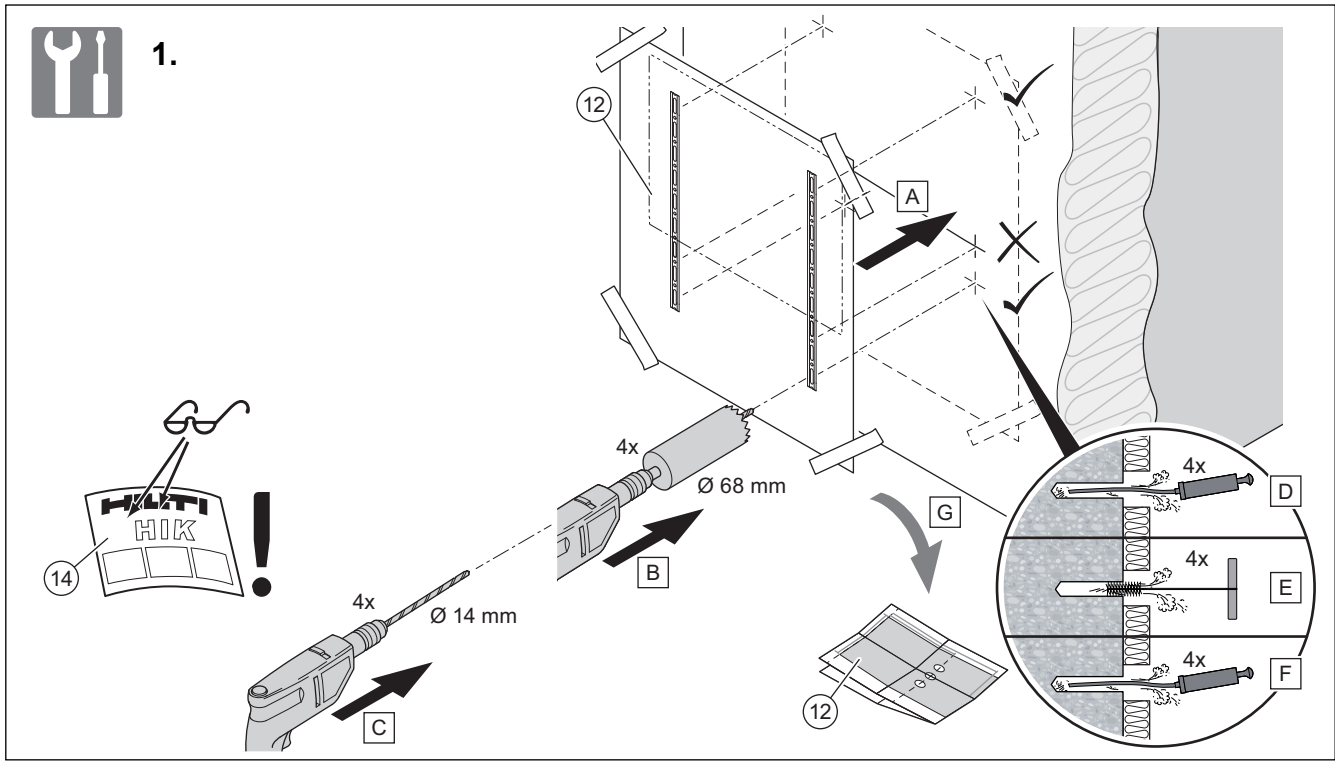
www.hilti.group

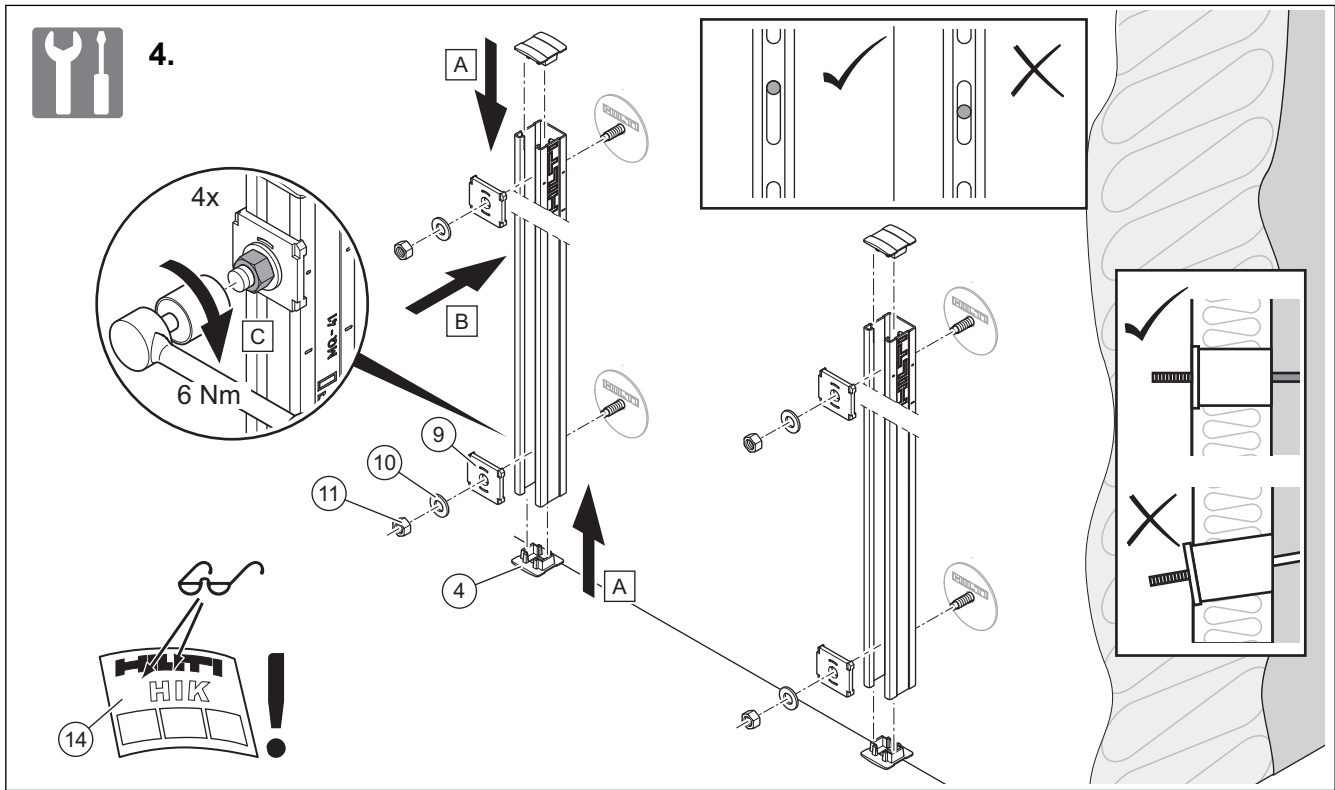
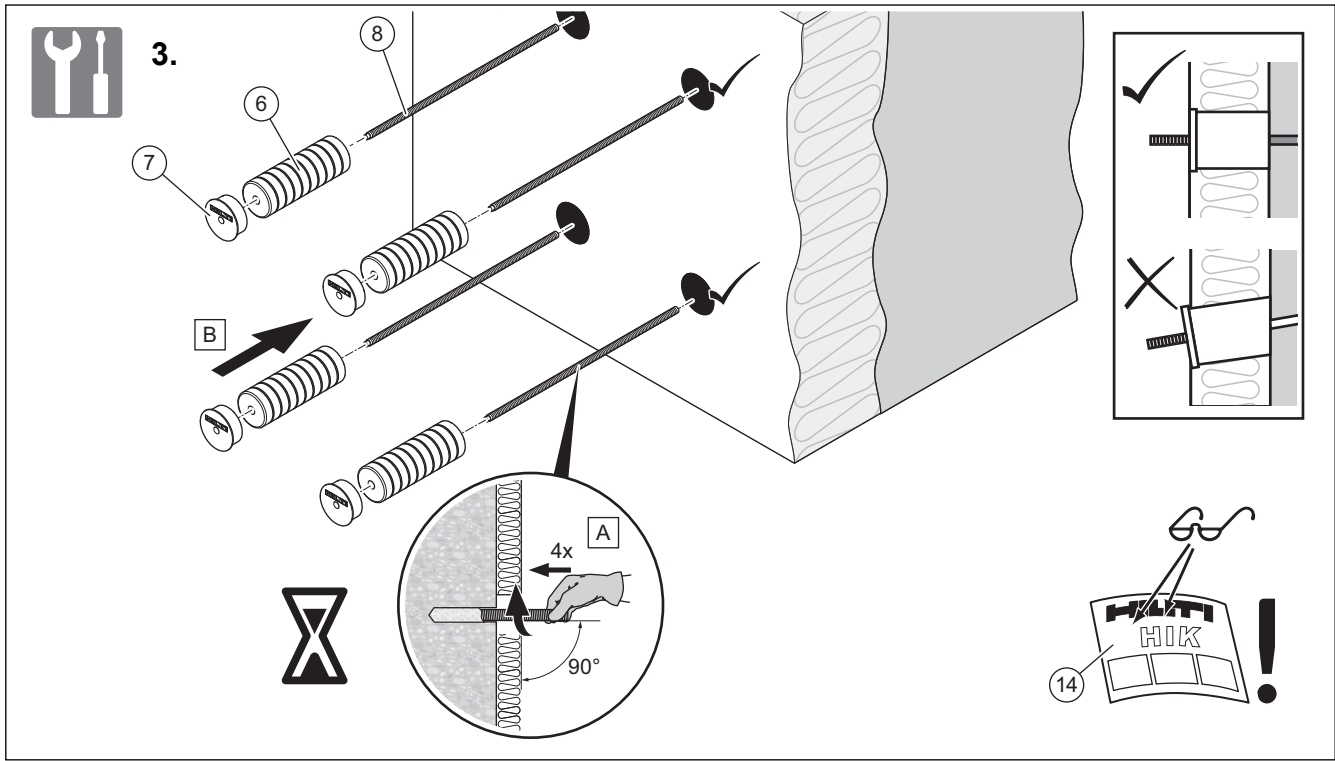
HIT-HY 170

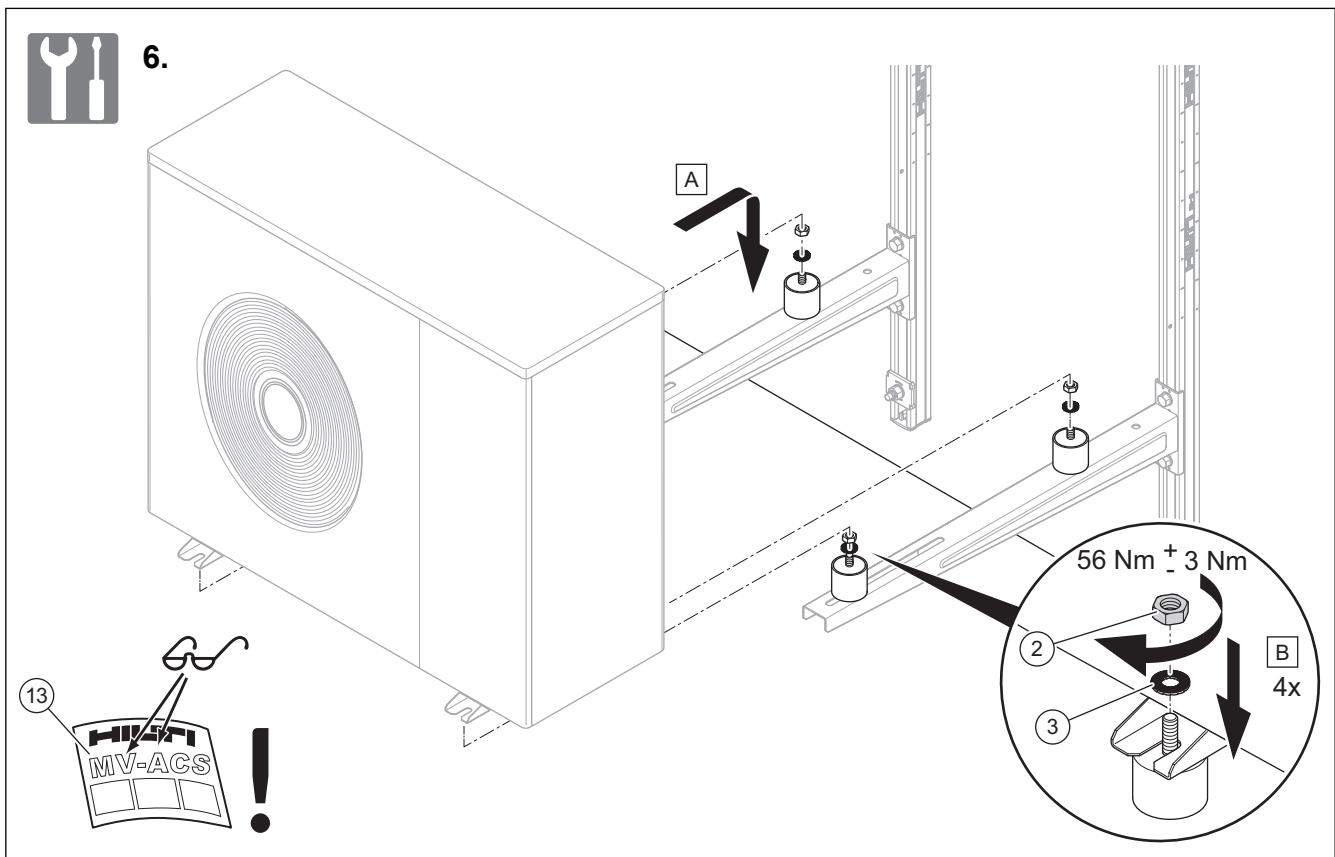
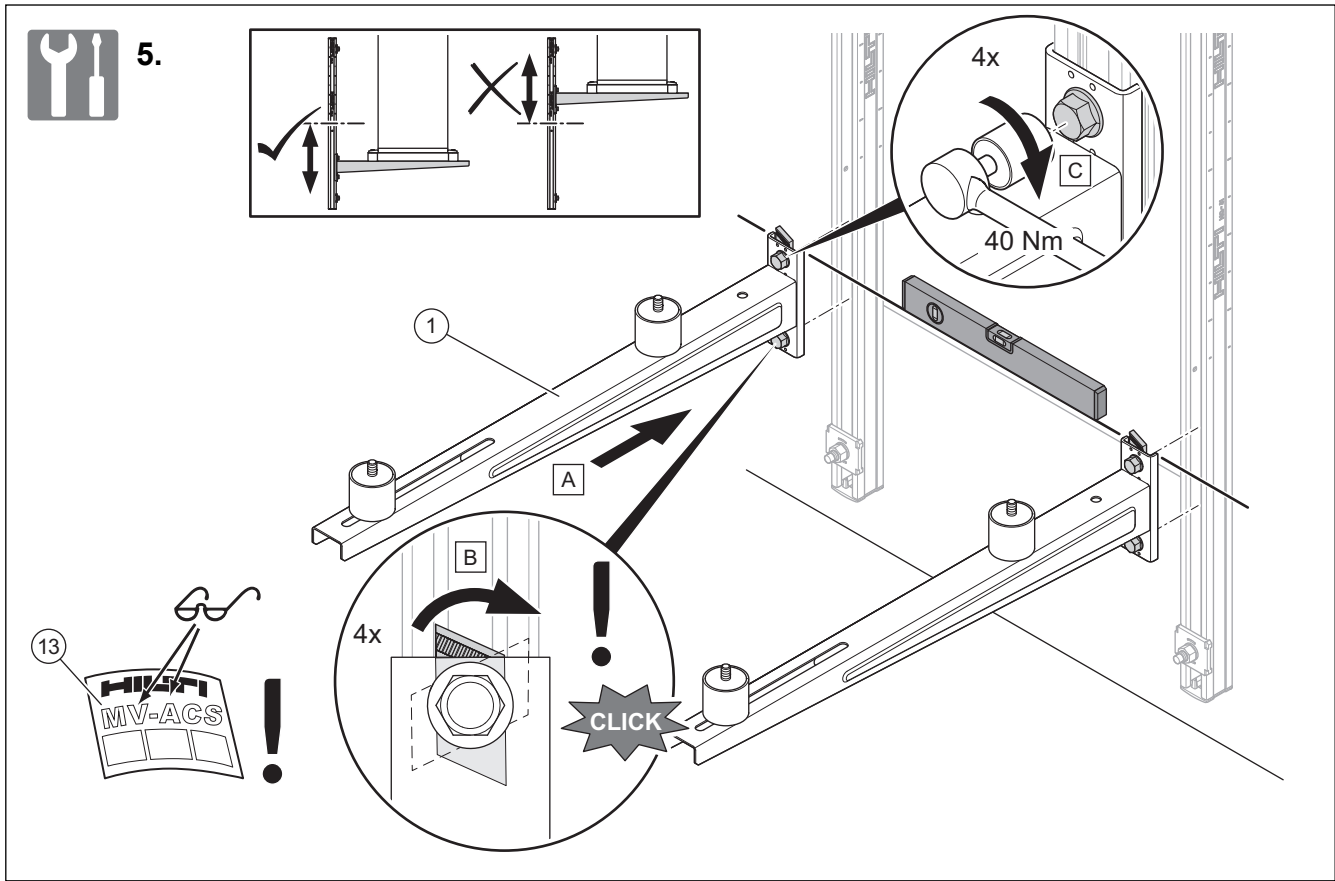


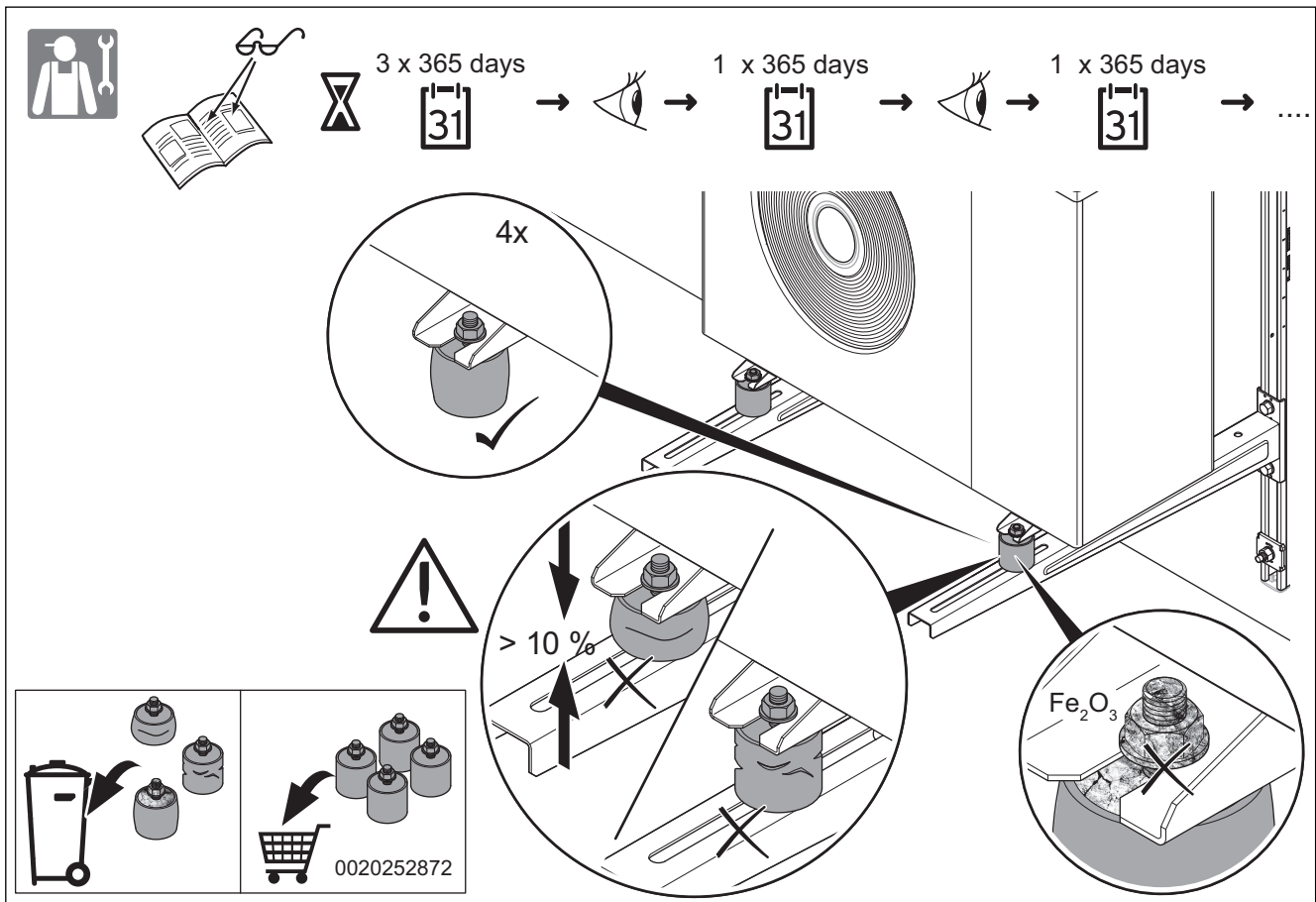
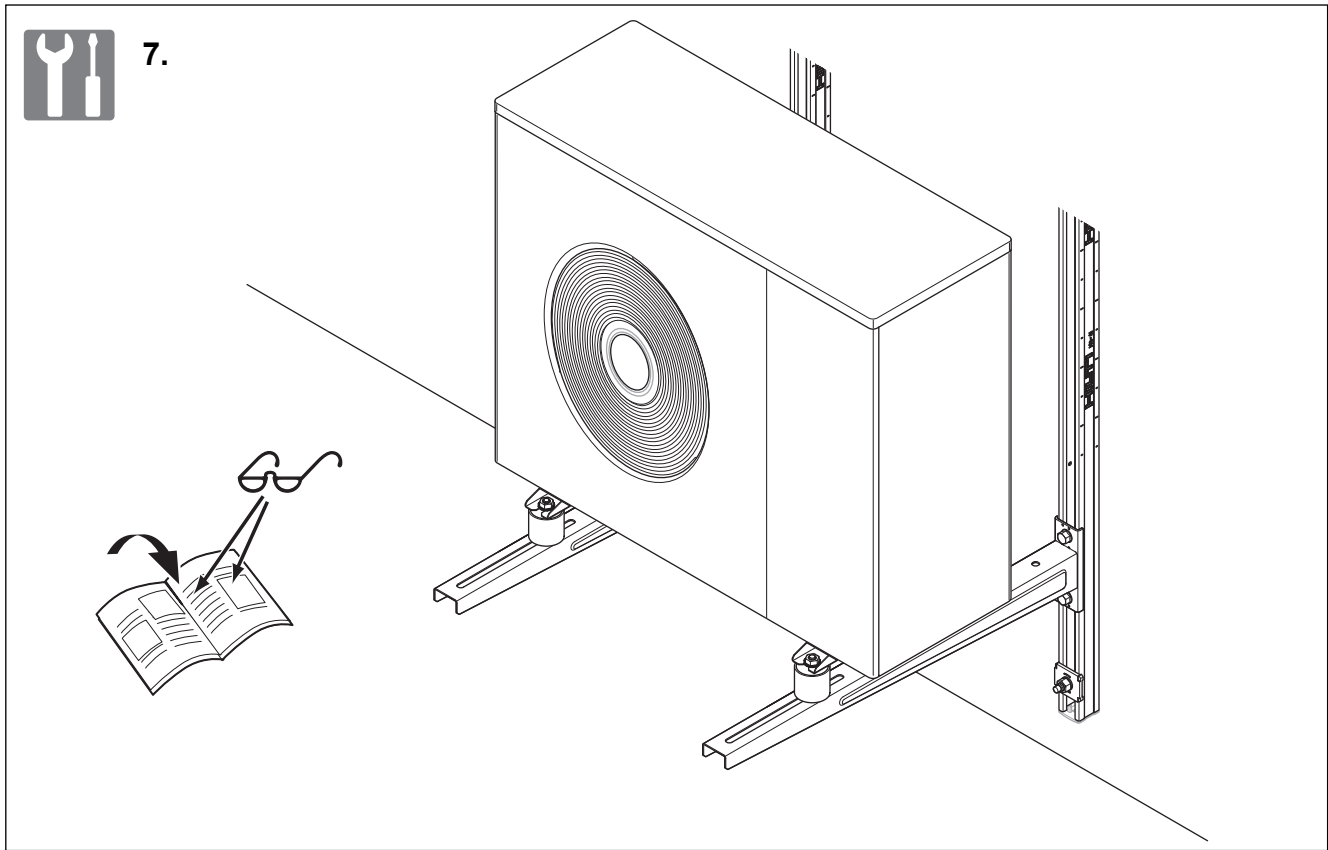
A	mm	800	942	765, 965
B	mm	740	778	740
C	mm	386	437	477
		#3	#4	#3













0020252050_04

Manufacturer
SDECCI SAS

17 rue de la Petite Baratte
44300 Nantes
France

© These instructions, or parts thereof, are protected by copyright and may be reproduced or distributed only with the manufacturer's written consent.
Subject to technical modifications.

0020252050_04 INT 052021